

## 1A, 1.5MHz Step-Down Converter in DFN2X2-6 Package

### DESCRIPTION

The ETA8010 is a high-efficiency, DC-to-DC step-down switching regulator, capable of delivering up to 1A of output current. The devices operate from an input voltage range of 2.6V to 5.5V and provide output voltages from 0.6V to  $V_{IN}$ , making the ETA8010 ideal for low voltage power conversions. Running at a fixed frequency of 1.5MHz allows the use of small inductance value and low DCR inductors, thereby achieving higher efficiencies. Other external components, such as ceramic input and output caps, can also be small due to higher switching frequency, while maintaining exceptional low noise output voltages. Built-in EMI reduction circuitry makes this converter ideal power supply for RF applications. Internal soft-start control circuitry reduces inrush current. Short-circuit and thermal-overload protection improves design reliability.

ETA8010 is housed in a tiny DFN2X2-6L package

### FEATURES

- ◆ Up to 96% Efficiency
- ◆ Up to 1A Max Output Current
- ◆ 1.5MHz Frequency
- ◆ Light Load operation
- ◆ Internal Compensation
- ◆ Tiny DFN2X2-6L Package

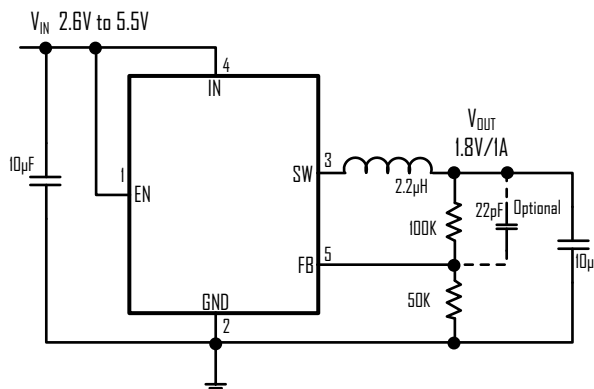
### APPLICATIONS

- MIDs, Tablet PC
- Set Top Boxes
- USB ports/Hubs
- Hot Swaps
- Cellphones

### ORDERING INFORMATION

PART #	PACKAGE PIN
ETA8010D2G	DFN2X2-6

### TYPICAL APPLICATION



1.8V/1A 1.5MHz Step-Down Converter

