

# NCP45520, NCP45521

## ecoSWITCH™ Advanced Load Management Controlled Load Switch with Low R<sub>ON</sub>

The NCP4552x series of load switches provide a component and area-reducing solution for efficient power domain switching with inrush current limit via soft start. In addition to integrated control functionality with ultra low on-resistance, these devices offer system safeguards and monitoring via fault protection and power good signaling. This cost effective solution is ideal for power management and hot-swap applications requiring low power consumption in a small footprint.

### Features

- Advanced Controller with Charge Pump
- Integrated N-Channel MOSFET with Low R<sub>ON</sub>
- Input Voltage Range 0.5 V to 13.5 V
- Soft-Start via Controlled Slew Rate
- Adjustable Slew Rate Control (NCP45521)
- Power Good Signal (NCP45520)
- Thermal Shutdown
- Undervoltage Lockout
- Short-Circuit Protection
- Extremely Low Standby Current
- Load Bleed (Quick Discharge)
- This is a Pb-Free Device

### Typical Applications

- Portable Electronics and Systems
- Notebook and Tablet Computers
- Telecom, Networking, Medical, and Industrial Equipment
- Set-Top Boxes, Servers, and Gateways
- Hot Swap Devices and Peripheral Ports

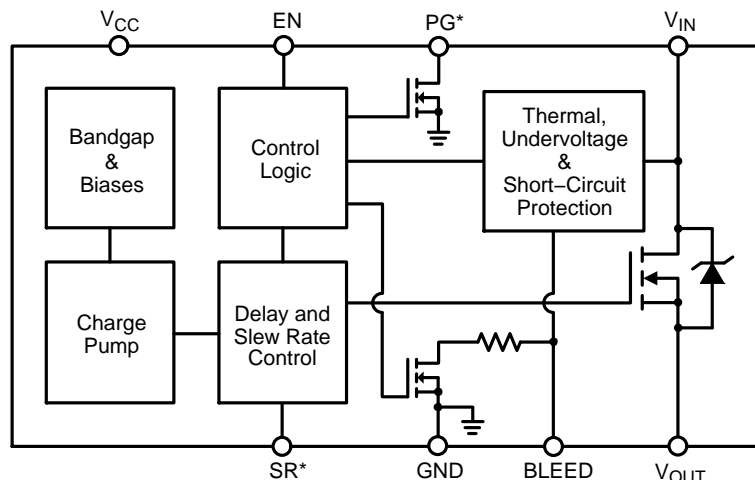


Figure 1. Block Diagram

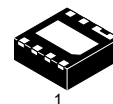
(\*Note: either PG or SR available for each part)



ON Semiconductor®

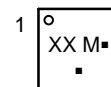
<http://onsemi.com>

| R <sub>ON</sub> TYP | V <sub>CC</sub> | V <sub>IN</sub> | I <sub>MAX</sub> |
|---------------------|-----------------|-----------------|------------------|
| 9.5 mΩ              | 3.3 V           | 1.8 V           | 10.5 A           |
| 10.1 mΩ             | 3.3 V           | 5.0 V           |                  |
| 12.8 mΩ             | 3.3 V           | 12 V            |                  |



DFN8, 2x2  
CASE 506CC

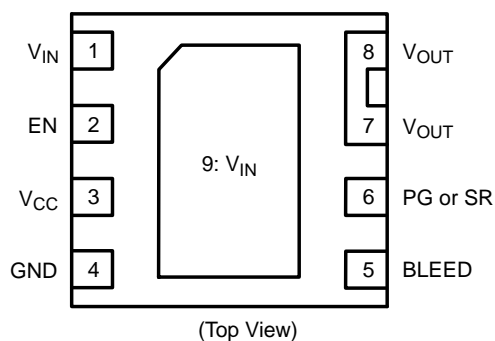
### MARKING DIAGRAM



- XX = PH for NCP45520-H
- = PL for NCP45520-L
- = SH for NCP45521-H
- = SL for NCP45521-L
- M = Date Code
- = Pb-Free Package

(Note: Microdot may be in either location)

### PIN CONFIGURATION



### ORDERING INFORMATION

See detailed ordering and shipping information on page 14 of this data sheet.

# NCP45520, NCP45521

**Table 1. PIN DESCRIPTION**

| Pin  | Name             | Function   |
|------|------------------|--|
| 1, 9 | V <sub>IN</sub>  | Drain of MOSFET (0.5 V – 13.5 V), Pin 1 must be connected to Pin 9   |
| 2    | EN               | NCP45520–H & NCP45521–H – Active–high digital input used to turn on the MOSFET, pin has an internal pull down resistor to GND  |
|      |                  | NCP45520–L & NCP45521–L – Active–low digital input used to turn on the MOSFET, pin has an internal pull up resistor to V <sub>CC</sub>   |
| 3    | V <sub>CC</sub>  | Supply voltage to controller (3.0 V – 5.5 V)   |
| 4    | GND              | Controller ground  |
| 5    | BLEED            | Load bleed connection, must be tied to V <sub>OUT</sub> either directly or through a resistor ≤ 1 kΩ   |
| 6    | PG               | NCP45520 – Active–high, open–drain output that indicates when the gate of the MOSFET is fully charged, external pull up resistor ≥ 1 kΩ to an external voltage source required; tie to GND if not used |
|      | SR               | NCP45521 – Slew rate adjustment; float if not used   |
| 7, 8 | V <sub>OUT</sub> | Source of MOSFET connected to load   |

**Table 2. ABSOLUTE MAXIMUM RATINGS**

| Rating   | Symbol             | Value                           | Unit       |
|--|--------------------|---------------------------------|------------|
| Supply Voltage Range   | V <sub>CC</sub>    | –0.3 to 6                       | V          |
| Input Voltage Range  | V <sub>IN</sub>    | –0.3 to 18                      | V          |
| Output Voltage Range   | V <sub>OUT</sub>   | –0.3 to 18                      | V          |
| EN Digital Input Range   | V <sub>EN</sub>    | –0.3 to (V <sub>CC</sub> + 0.3) | V          |
| PG Output Voltage Range (Note 1)   | V <sub>PG</sub>    | –0.3 to 6                       | V          |
| Thermal Resistance, Junction–to–Ambient, Steady State (Note 2)                                 | R <sub>θJA</sub>   | 40.0                            | °C/W       |
| Thermal Resistance, Junction–to–Ambient, Steady State (Note 3)                                 | R <sub>θJA</sub>   | 72.7                            | °C/W       |
| Thermal Resistance, Junction–to–Case (V <sub>IN</sub> Paddle)                                  | R <sub>θJC</sub>   | 5.3                             | °C/W       |
| Continuous MOSFET Current @ T <sub>A</sub> = 25°C (Notes 2 and 4)                              | I <sub>MAX</sub>   | 10.5                            | A          |
| Continuous MOSFET Current @ T <sub>A</sub> = 25°C (Notes 3 and 4)                              | I <sub>MAX</sub>   | 7.8                             | A          |
| Total Power Dissipation @ T <sub>A</sub> = 25°C (Note 2)<br>Derate above T <sub>A</sub> = 25°C | P <sub>D</sub>     | 2.50<br>24.9                    | W<br>mW/°C |
| Total Power Dissipation @ T <sub>A</sub> = 25°C (Note 3)<br>Derate above T <sub>A</sub> = 25°C | P <sub>D</sub>     | 1.37<br>13.8                    | W<br>mW/°C |
| Storage Temperature Range  | T <sub>STG</sub>   | –40 to 150                      | °C         |
| Lead Temperature, Soldering (10 sec.)  | T <sub>SLD</sub>   | 260                             | °C         |
| ESD Capability, Human Body Model (Notes 5 and 6)   | ESD <sub>HBM</sub> | 3.0                             | kV         |
| ESD Capability, Machine Model (Note 5)   | ESD <sub>MM</sub>  | 200                             | V          |
| ESD Capability, Charged Device Model (Note 5)  | ESD <sub>CDM</sub> | 1.0                             | kV         |
| Latch–up Current Immunity (Notes 5 and 6)  | LU                 | 100                             | mA         |

Stresses exceeding Maximum Ratings may damage the device. Maximum Ratings are stress ratings only. Functional operation above the Recommended Operating Conditions is not implied. Extended exposure to stresses above the Recommended Operating Conditions may affect device reliability.

1. NCP45520 only. PG is an open–drain output that requires an external pull up resistor ≥ 1 kΩ to an external voltage source.
2. Surface–mounted on FR4 board using 1 sq–in pad, 1 oz Cu.
3. Surface–mounted on FR4 board using the minimum recommended pad size, 1 oz Cu.
4. Ensure that the expected operating MOSFET current will not cause the Short–Circuit Protection to turn the MOSFET off undesirably.
5. Tested by the following methods @ T<sub>A</sub> = 25°C:
  - ESD Human Body Model tested per JESD22–A114
  - ESD Machine Model tested per JESD22–A115
  - ESD Charged Device Model tested per JESD22–C101
  - Latch–up Current tested per JESD78
6. Rating is for all pins except for V<sub>IN</sub> and V<sub>OUT</sub> which are tied to the internal MOSFET's Drain and Source. Typical MOSFET ESD performance for V<sub>IN</sub> and V<sub>OUT</sub> should be expected and these devices should be treated as ESD sensitive.

# NCP45520, NCP45521

**Table 3. OPERATING RANGES**

| Rating               | Symbol   | Min | Max  | Unit |
|----------------------|----------|-----|------|------|
| Supply Voltage       | $V_{CC}$ | 3   | 5.5  | V    |
| Input Voltage        | $V_{IN}$ | 0.5 | 13.5 | V    |
| Ground               | GND      |     | 0    | V    |
| Ambient Temperature  | $T_A$    | -40 | 85   | °C   |
| Junction Temperature | $T_J$    | -40 | 125  | °C   |

**Table 4. ELECTRICAL CHARACTERISTICS** ( $T_J = 25^\circ\text{C}$  unless otherwise specified)

| Parameter                                | Conditions (Note 7)                                      | Symbol      | Min  | Typ  | Max  | Unit |
|--|--|-------------|------|------|------|------|
| <b>MOSFET</b>                            |  |             |      |      |      |      |
| On-Resistance                            | $V_{CC} = 3.3\text{ V}; V_{IN} = 1.8\text{ V}$           | $R_{ON}$    |      | 9.5  | 12.7 | mΩ   |
|  | $V_{CC} = 3.3\text{ V}; V_{IN} = 5\text{ V}$             |             |      | 10.1 | 13.9 |      |
|  | $V_{CC} = 3.3\text{ V}; V_{IN} = 12\text{ V}$            |             |      | 12.8 | 22.5 |      |
| Leakage Current (Note 8)                 | $V_{EN} = 0\text{ V}; V_{IN} = 13.5\text{ V}$            | $I_{LEAK}$  |      | 0.1  | 1    | μA   |
| <b>CONTROLLER</b>                        |  |             |      |      |      |      |
| Supply Standby Current (Note 9)          | $V_{EN} = 0\text{ V}; V_{CC} = 3\text{ V}$               | $I_{STBY}$  |      | 0.65 | 2    | μA   |
|  | $V_{EN} = 0\text{ V}; V_{CC} = 5.5\text{ V}$             |             |      | 3.2  | 4.5  |      |
| Supply Dynamic Current (Note 10)         | $V_{EN} = V_{CC} = 3\text{ V}; V_{IN} = 12\text{ V}$     | $I_{DYN}$   |      | 280  | 400  | μA   |
|  | $V_{EN} = V_{CC} = 5.5\text{ V}; V_{IN} = 1.8\text{ V}$  |             |      | 530  | 750  |      |
| Bleed Resistance                         | $V_{EN} = 0\text{ V}; V_{CC} = 3\text{ V}$               | $R_{BLEED}$ | 86   | 115  | 144  | Ω    |
|  | $V_{EN} = 0\text{ V}; V_{CC} = 5.5\text{ V}$             |             | 72   | 97   | 121  |      |
| Bleed Pin Leakage Current                | $V_{EN} = V_{CC} = 3\text{ V}; V_{IN} = 1.8\text{ V}$    | $I_{BLEED}$ |      | 6    | 10   | μA   |
|  | $V_{EN} = V_{CC} = 3\text{ V}; V_{IN} = 12\text{ V}$     |             |      | 60   | 70   |      |
| EN Input High Voltage                    | $V_{CC} = 3\text{ V} - 5.5\text{ V}$                     | $V_{IH}$    | 2    |      |      | V    |
| EN Input Low Voltage                     | $V_{CC} = 3\text{ V} - 5.5\text{ V}$                     | $V_{IL}$    |      |      | 0.8  | V    |
| EN Input Leakage Current                 | NCP45520-H; NCP45521-H; $V_{EN} = 0\text{ V}$            | $I_{IL}$    |      | 90   | 500  | nA   |
|  | NCP45520-L; NCP45521-L; $V_{EN} = 5.5\text{ V}$          | $I_{IH}$    |      | 90   | 500  |      |
| EN Pull Down Resistance                  | NCP45520-H; NCP45521-H                                   | $R_{PD}$    | 76   | 100  | 124  | kΩ   |
| EN Pull Up Resistance                    | NCP45520-L; NCP45521-L                                   | $R_{PU}$    | 76   | 100  | 124  | kΩ   |
| PG Output Low Voltage (Note 11)          | NCP45520; $V_{CC} = 3\text{ V}; I_{SINK} = 5\text{ mA}$  | $V_{OL}$    |      |      | 0.2  | V    |
| PG Output Leakage Current (Note 12)      | NCP45520; $V_{CC} = 3\text{ V}; V_{TERM} = 3.3\text{ V}$ | $I_{OH}$    |      | 5    | 100  | nA   |
| Slew Rate Control Constant (Note 13)     | NCP45521; $V_{CC} = 3\text{ V}$                          | $K_{SR}$    | 24   | 31   | 38   | μA   |
| <b>FAULT PROTECTIONS</b>                 |  |             |      |      |      |      |
| Thermal Shutdown Threshold (Note 14)     | $V_{CC} = 3\text{ V} - 5.5\text{ V}$                     | $T_{SDT}$   |      | 145  |      | °C   |
| Thermal Shutdown Hysteresis (Note 14)    | $V_{CC} = 3\text{ V} - 5.5\text{ V}$                     | $T_{HYS}$   |      | 20   |      | °C   |
| $V_{IN}$ Undervoltage Lockout Threshold  | $V_{CC} = 3\text{ V}$                                    | $V_{UVLO}$  | 0.25 | 0.35 | 0.45 | V    |
| $V_{IN}$ Undervoltage Lockout Hysteresis | $V_{CC} = 3\text{ V}$                                    | $V_{HYS}$   | 20   | 50   | 70   | mV   |
| Short-Circuit Protection Threshold       | $V_{CC} = 3\text{ V}; V_{IN} = 0.5\text{ V}$             | $V_{SC}$    | 200  | 265  | 350  | mV   |
|  | $V_{CC} = 3\text{ V}; V_{IN} = 13.5\text{ V}$            |             | 100  | 285  | 500  |      |

7.  $V_{EN}$  shown only for NCP45520-H, NCP45521-H (EN Active-High) unless otherwise specified.

8. Average current from  $V_{IN}$  to  $V_{OUT}$  with MOSFET turned off.

9. Average current from  $V_{CC}$  to GND with MOSFET turned off.

10. Average current from  $V_{CC}$  to GND after charge up time of MOSFET.

11. PG is an open-drain output that is pulled low when the MOSFET is disabled.

12. PG is an open-drain output that is not driven when the gate of the MOSFET is fully charged, requires an external pull up resistor  $\geq 1\text{ k}\Omega$  to an external voltage source,  $V_{TERM}$ .

13. See Applications Information section for details on how to adjust the slew rate.

14. Operation above  $T_J = 125^\circ\text{C}$  is not guaranteed.

# NCP45520, NCP45521

**Table 5. SWITCHING CHARACTERISTICS** ( $T_J = 25^\circ\text{C}$  unless otherwise specified) (Notes 15 and 16)

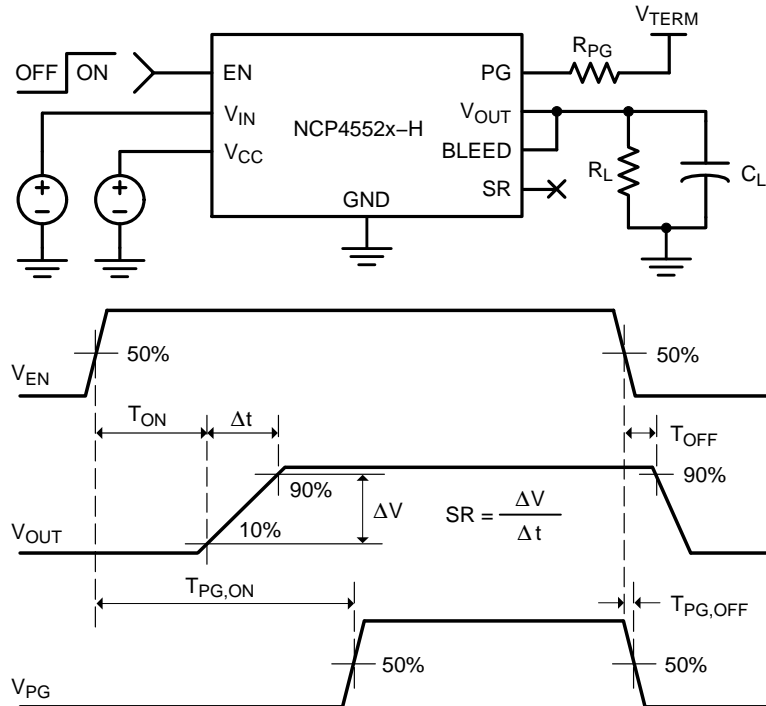
| Parameter                          | Conditions                                     | Symbol       | Min | Typ  | Max | Unit          |
|------------------------------------|--|--------------|-----|------|-----|---------------|
| Output Slew Rate (Note 17)         | $V_{CC} = 3.3\text{ V}; V_{IN} = 1.8\text{ V}$ | SR           |     | 11.9 |     | kV/s          |
|                                    | $V_{CC} = 5.0\text{ V}; V_{IN} = 1.8\text{ V}$ |              |     | 12.1 |     |               |
|                                    | $V_{CC} = 3.3\text{ V}; V_{IN} = 12\text{ V}$  |              |     | 13.5 |     |               |
|                                    | $V_{CC} = 5.0\text{ V}; V_{IN} = 12\text{ V}$  |              |     | 13.9 |     |               |
| Output Turn-on Delay (Note 17)     | $V_{CC} = 3.3\text{ V}; V_{IN} = 1.8\text{ V}$ | $T_{ON}$     |     | 220  |     | $\mu\text{s}$ |
|                                    | $V_{CC} = 5.0\text{ V}; V_{IN} = 1.8\text{ V}$ |              |     | 185  |     |               |
|                                    | $V_{CC} = 3.3\text{ V}; V_{IN} = 12\text{ V}$  |              |     | 270  |     |               |
|                                    | $V_{CC} = 5.0\text{ V}; V_{IN} = 12\text{ V}$  |              |     | 260  |     |               |
| Output Turn-off Delay (Note 17)    | $V_{CC} = 3.3\text{ V}; V_{IN} = 1.8\text{ V}$ | $T_{OFF}$    |     | 1.2  |     | $\mu\text{s}$ |
|                                    | $V_{CC} = 5.0\text{ V}; V_{IN} = 1.8\text{ V}$ |              |     | 0.9  |     |               |
|                                    | $V_{CC} = 3.3\text{ V}; V_{IN} = 12\text{ V}$  |              |     | 0.4  |     |               |
|                                    | $V_{CC} = 5.0\text{ V}; V_{IN} = 12\text{ V}$  |              |     | 0.2  |     |               |
| Power Good Turn-on Time (Note 18)  | $V_{CC} = 3.3\text{ V}; V_{IN} = 1.8\text{ V}$ | $T_{PG,ON}$  |     | 0.91 |     | ms            |
|                                    | $V_{CC} = 5.0\text{ V}; V_{IN} = 1.8\text{ V}$ |              |     | 0.93 |     |               |
|                                    | $V_{CC} = 3.3\text{ V}; V_{IN} = 12\text{ V}$  |              |     | 1.33 |     |               |
|                                    | $V_{CC} = 5.0\text{ V}; V_{IN} = 12\text{ V}$  |              |     | 1.21 |     |               |
| Power Good Turn-off Time (Note 18) | $V_{CC} = 3.3\text{ V}; V_{IN} = 1.8\text{ V}$ | $T_{PG,OFF}$ |     | 21   |     | ns            |
|                                    | $V_{CC} = 5.0\text{ V}; V_{IN} = 1.8\text{ V}$ |              |     | 15   |     |               |
|                                    | $V_{CC} = 3.3\text{ V}; V_{IN} = 12\text{ V}$  |              |     | 21   |     |               |
|                                    | $V_{CC} = 5.0\text{ V}; V_{IN} = 12\text{ V}$  |              |     | 15   |     |               |

15. See below figure for Test Circuit and Timing Diagram.

16. Tested with the following conditions:  $V_{TERM} = V_{CC}$ ;  $R_{PG} = 100\text{ k}\Omega$ ;  $R_L = 10\ \Omega$ ;  $C_L = 0.1\ \mu\text{F}$ .

17. Applies to NCP45520 and NCP45521.

18. Applies only to NCP45520.



**Figure 2. Switching Characteristics Test Circuit and Timing Diagram**

# NCP4520, NCP4521

## TYPICAL CHARACTERISTICS

( $T_J = 25^\circ\text{C}$  unless otherwise specified)

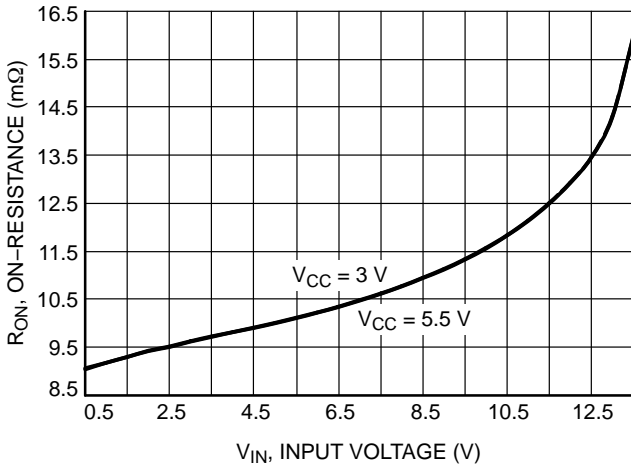


Figure 3. On-Resistance vs. Input Voltage

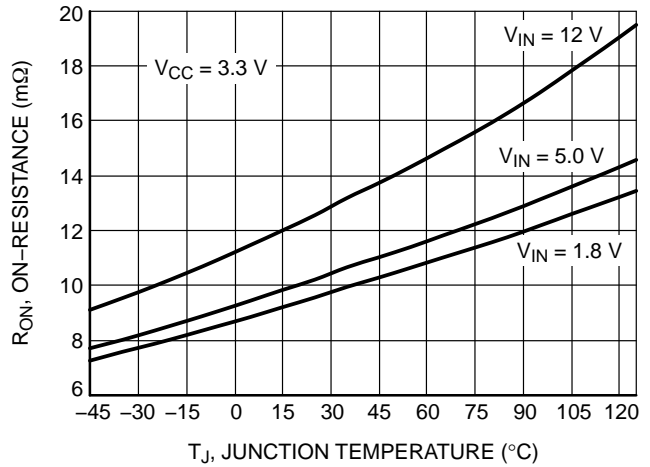


Figure 4. On-Resistance vs. Temperature



Figure 5. Supply Standby Current vs. Supply Voltage

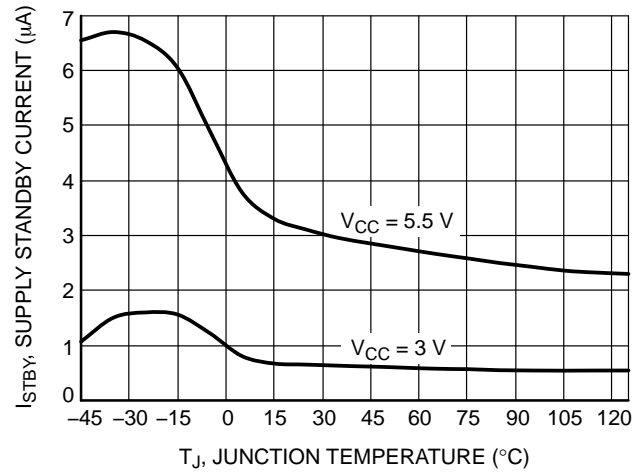


Figure 6. Supply Standby Current vs. Temperature

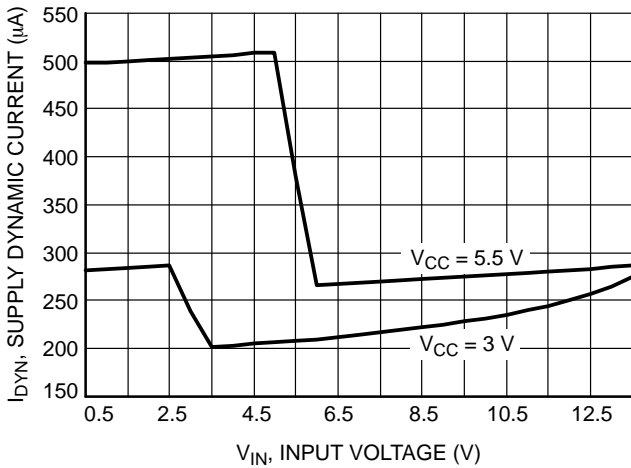


Figure 7. Supply Dynamic Current vs. Input Voltage

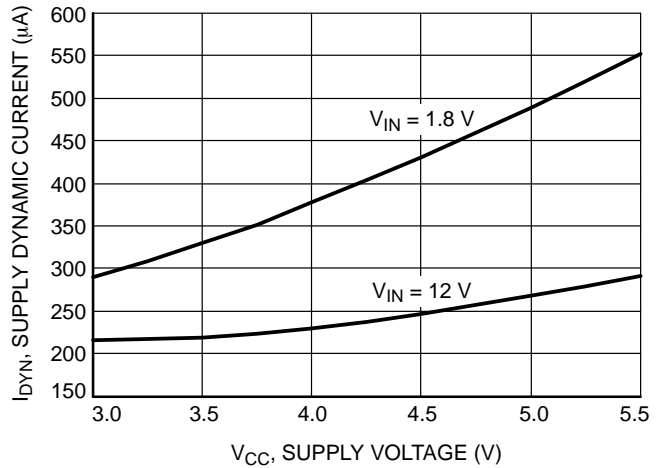
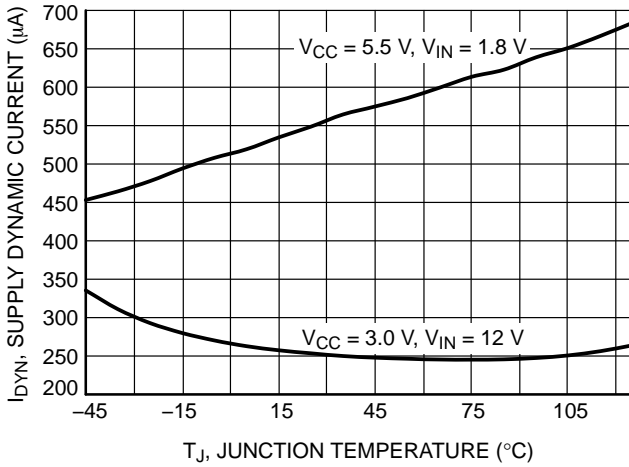


Figure 8. Supply Dynamic Current vs. Supply Voltage

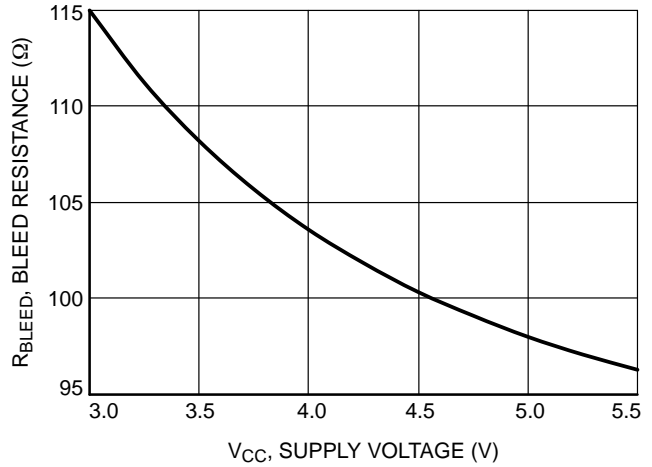
# NCP45520, NCP45521

## TYPICAL CHARACTERISTICS

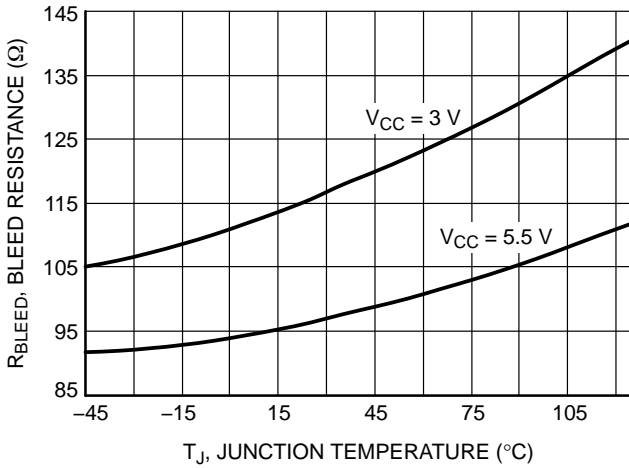
( $T_J = 25^\circ\text{C}$  unless otherwise specified)



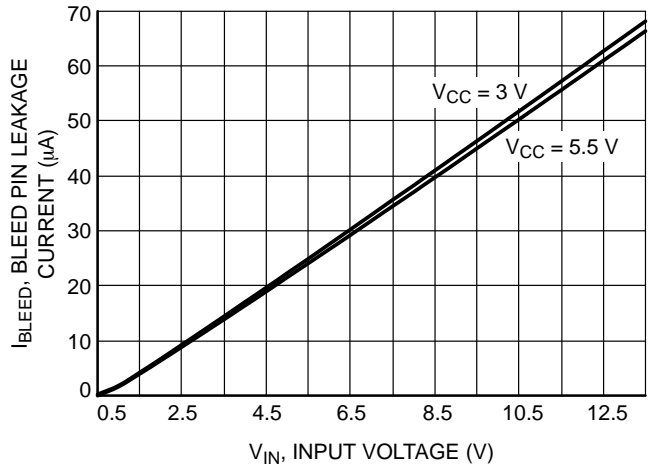
**Figure 9. Supply Dynamic Current vs. Temperature**



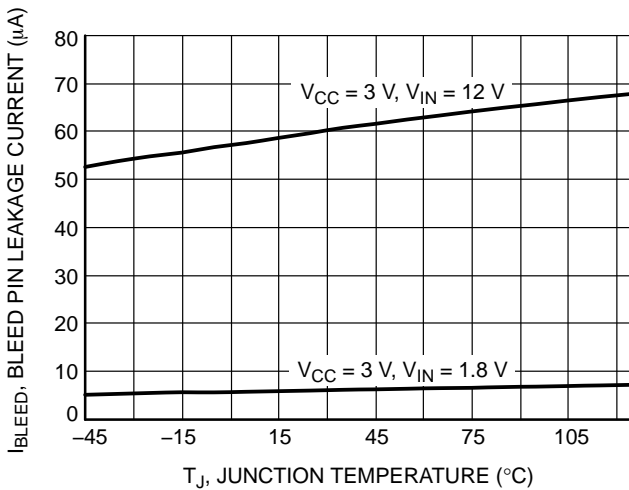
**Figure 10. Bleed Resistance vs. Supply Voltage**



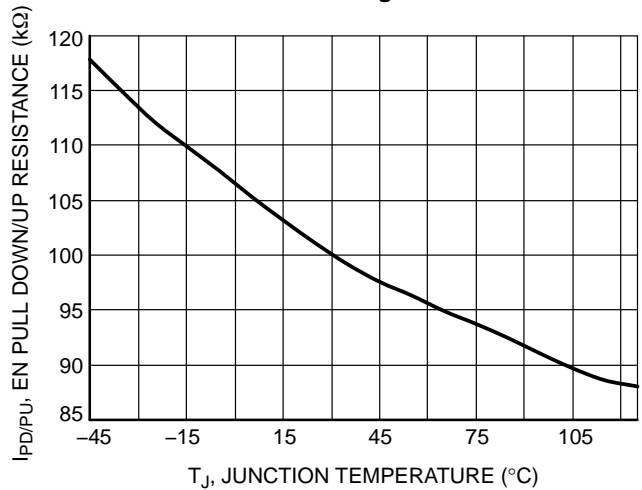
**Figure 11. Bleed Resistance vs. Temperature**



**Figure 12. Bleed Pin Leakage Current vs. Input Voltage**



**Figure 13. Bleed Pin Leakage Current vs. Temperature**

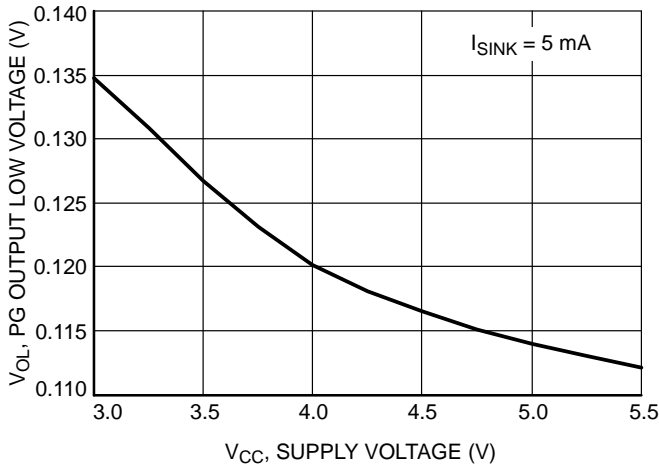


**Figure 14. EN Pull Down/Up Resistance vs. Temperature**

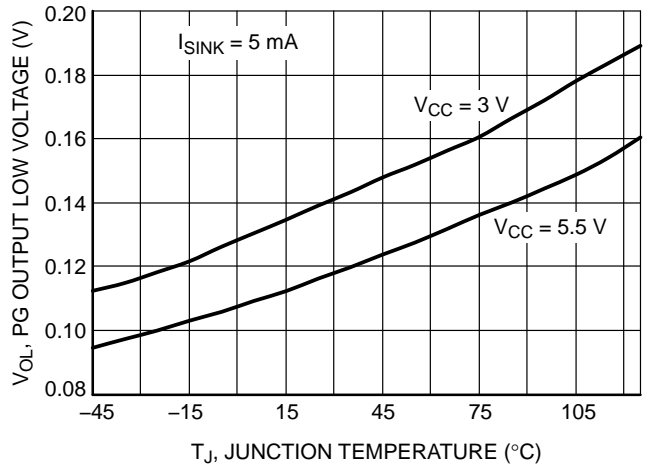
# NCP4520, NCP45521

## TYPICAL CHARACTERISTICS

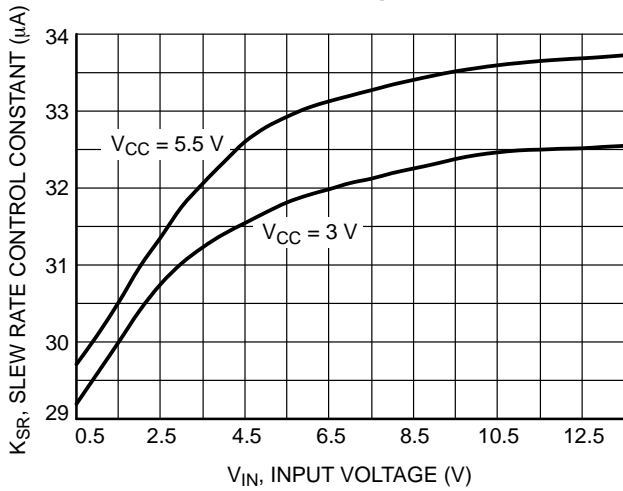
( $T_J = 25^\circ\text{C}$  unless otherwise specified)



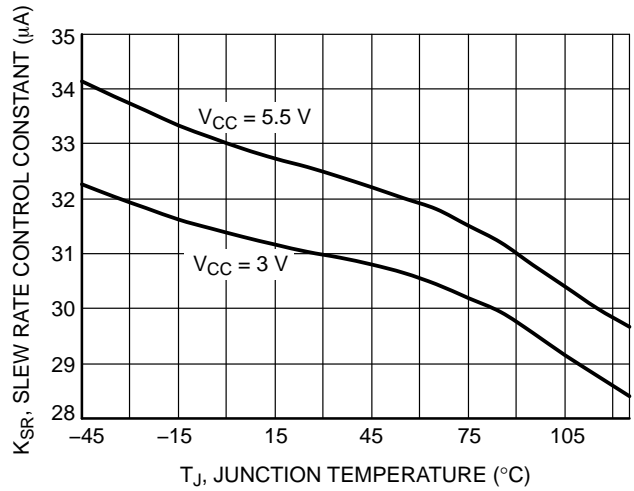
**Figure 15. PG Output Low Voltage vs. Supply Voltage**



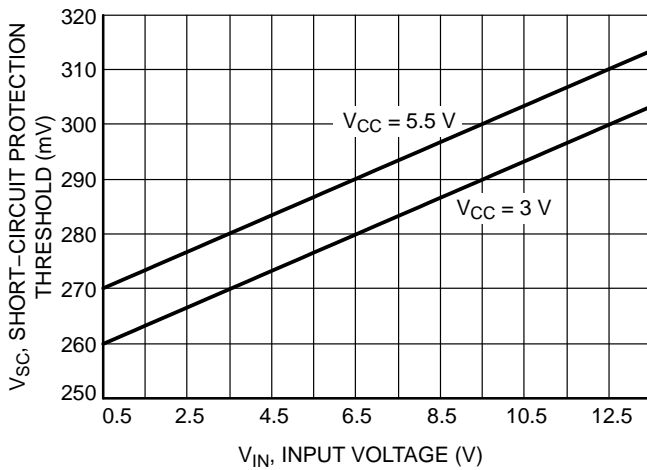
**Figure 16. PG Output Low Voltage vs. Temperature**



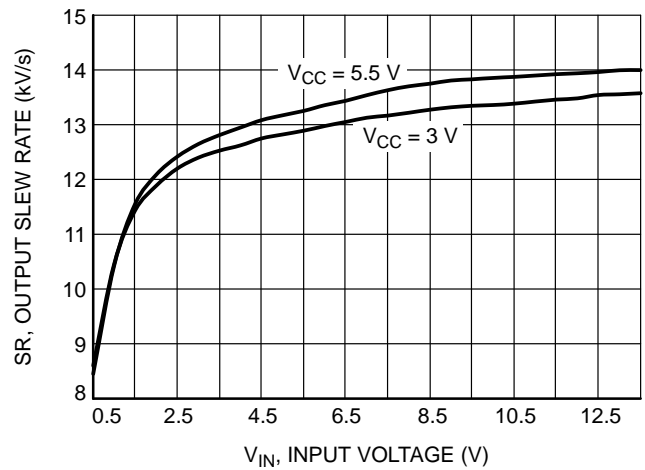
**Figure 17. Slew Rate Control Constant vs. Input Voltage**



**Figure 18. Slew Rate Control Constant vs. Temperature**



**Figure 19. Short-Circuit Protection Threshold vs. Input Voltage**



**Figure 20. Output Slew Rate vs. Input Voltage**

# NCP45520, NCP45521

## TYPICAL CHARACTERISTICS

( $T_J = 25^\circ\text{C}$  unless otherwise specified)

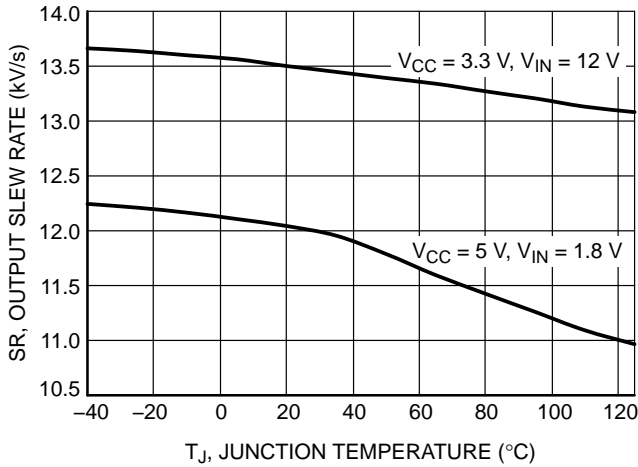


Figure 21. Output Slew Rate vs. Temperature

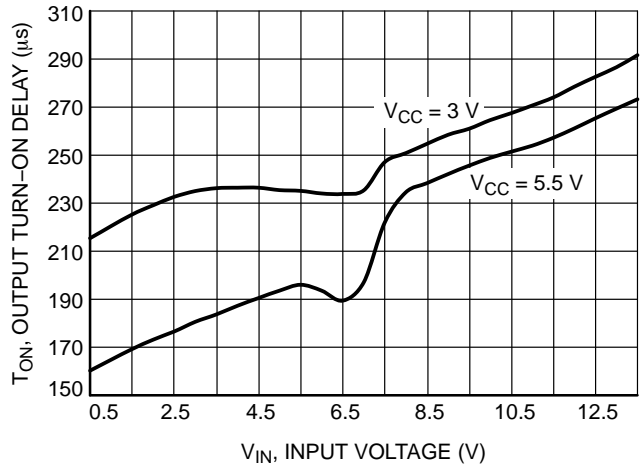


Figure 22. Output Turn-on Delay vs. Input Voltage

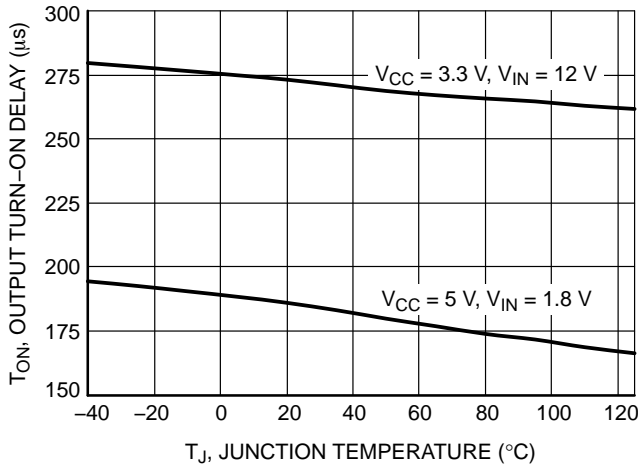


Figure 23. Output Turn-on Delay vs. Temperature

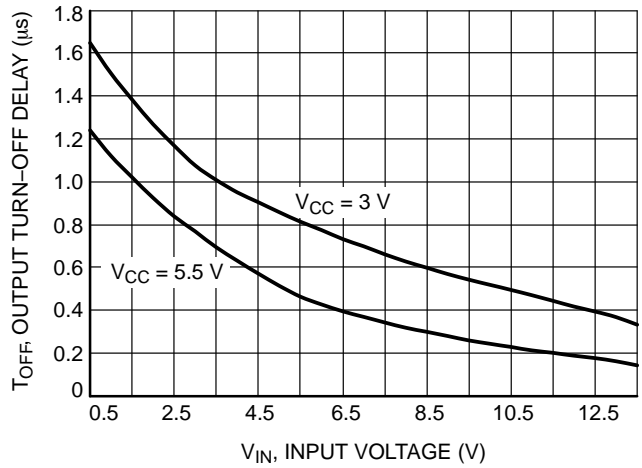


Figure 24. Output Turn-off Delay vs. Input Voltage

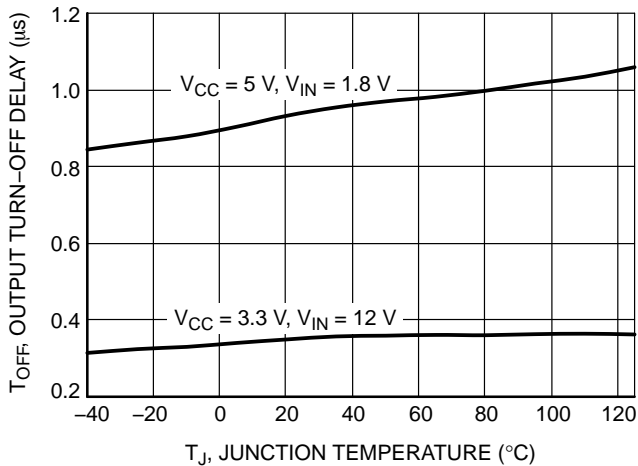


Figure 25. Output Turn-off Delay vs. Temperature

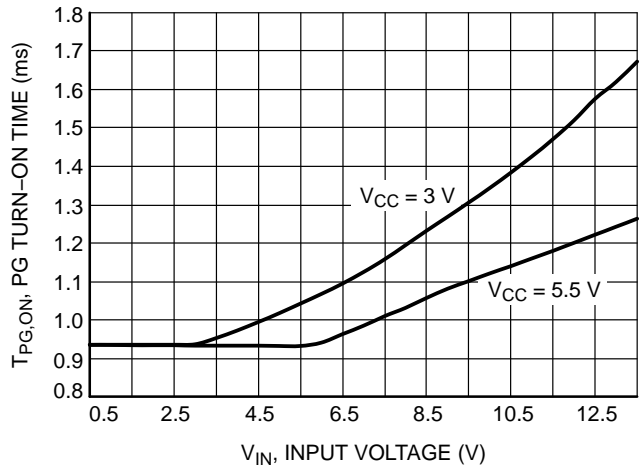


Figure 26. Power Good Turn-on Time vs. Input Voltage



# NCP45520, NCP45521

## TYPICAL CHARACTERISTICS

( $T_J = 25^\circ\text{C}$  unless otherwise specified)

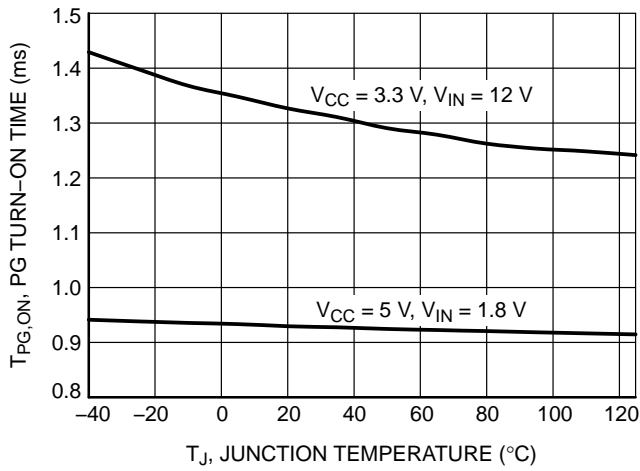


Figure 27. Power Good Turn-on Time vs. Temperature

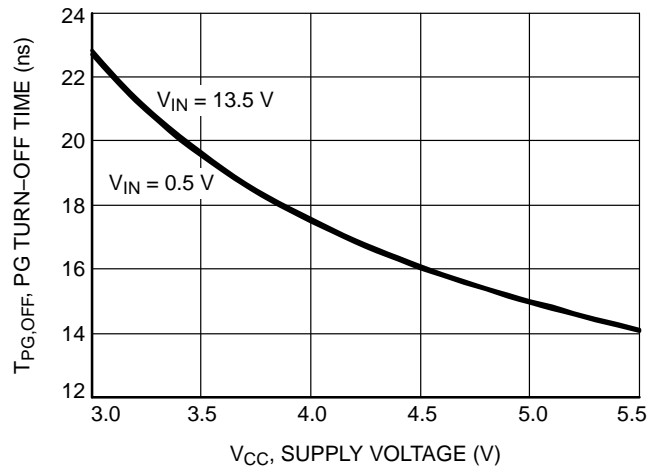


Figure 28. Power Good Turn-off Time vs. Supply Voltage

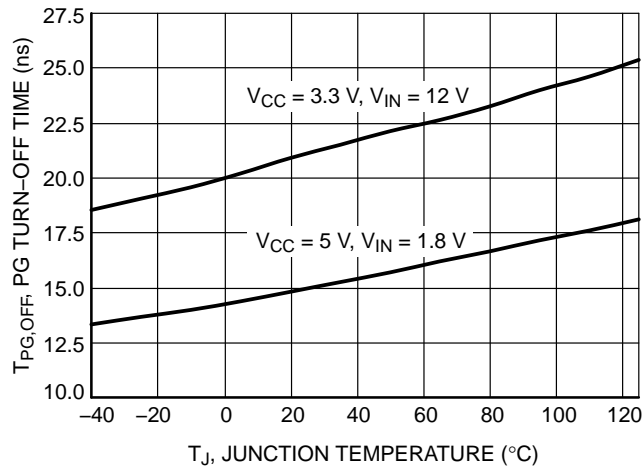


Figure 29. Power Good Turn-off Time vs. Temperature

## APPLICATIONS INFORMATION

### Enable Control

Both the NCP45520 and the NCP45521 have two part numbers, NCP4552x-H and NCP4552x-L, that only differ in the polarity of the enable control.

The NCP4552x-H devices allow for enabling the MOSFET in an active-high configuration. When the  $V_{CC}$  supply pin has an adequate voltage applied and the EN pin is at a logic high level, the MOSFET will be enabled. Similarly, when the EN pin is at a logic low level, the MOSFET will be disabled. An internal pull down resistor to ground on the EN pin ensures that the MOSFET will be disabled when not being driven.

The NCP4552x-L devices allow for enabling the MOSFET in an active-low configuration. When the  $V_{CC}$  supply pin has an adequate voltage applied and the EN pin is at a logic low level, the MOSFET will be enabled. Similarly, when the EN pin is at a logic high level, the MOSFET will be disabled. An internal pull up resistor to  $V_{CC}$  on the EN pin ensures that the MOSFET will be disabled when not being driven.

### Power Sequencing

The NCP4552x devices will function with any power sequence, but the output turn-on delay performance may vary from what is specified. To achieve the specified performance, there are two recommended power sequences:

- 1)  $V_{CC} \rightarrow V_{IN} \rightarrow V_{EN}$
- 2)  $V_{IN} \rightarrow V_{CC} \rightarrow V_{EN}$

### Load Bleed (Quick Discharge)

The NCP4552x devices have an internal bleed resistor,  $R_{BLEED}$ , which is used to bleed the charge off of the load to ground after the MOSFET has been disabled. In series with the bleed resistor is a bleed switch that is enabled whenever the MOSFET is disabled. The MOSFET and the bleed switch are never concurrently active.

It is required that the BLEED pin be connected to  $V_{OUT}$  either directly (as shown in Figures 31 and 34) or through an external resistor,  $R_{EXT}$  (as shown in Figures 30 and 33).  $R_{EXT}$  should not exceed 1 k $\Omega$  and can be used to increase the total bleed resistance.

Care must be taken to ensure that the power dissipated across  $R_{BLEED}$  is kept at a safe level. The maximum continuous power that can be dissipated across  $R_{BLEED}$  is 0.4 W.  $R_{EXT}$  can be used to decrease the amount of power dissipated across  $R_{BLEED}$ .

### Power Good

The NCP45520 devices have a power good output (PG) that can be used to indicate when the gate of the MOSFET is fully charged. The PG pin is an active-high, open-drain output that requires an external pull up resistor,  $R_{PG}$ , greater than or equal to 1 k $\Omega$  to an external voltage source,  $V_{TERM}$ , that is compatible with input levels of all devices connected to this pin (as shown in Figures 30 and 31).

The power good output can be used as the enable signal for other active-high devices in the system (as shown in Figure 32). This allows for guaranteed by design power sequencing and reduces the number of enable signals needed from the system controller. If the power good feature is not used in the application, the PG pin should be tied to GND.

### Slew Rate Control

The NCP4552x devices are equipped with controlled output slew rate which provides soft start functionality. This limits the inrush current caused by capacitor charging and enables these devices to be used in hot swap applications.

The slew rate of the NCP45521 can be decreased with an external capacitor added between the SR pin and ground (as shown in Figures 33 and 34). With an external capacitor present, the slew rate can be determined by the following equation:

$$\text{Slew Rate} = \frac{K_{SR}}{C_{SR}} \text{ [V/s]} \quad (\text{eq. 1})$$

where  $K_{SR}$  is the specified slew rate control constant, found in Table 4, and  $C_{SR}$  is the slew rate control capacitor added between the SR pin and ground. The slew rate of the device will always be the lower of the default slew rate and the adjusted slew rate. Therefore, if the  $C_{SR}$  is not large enough to decrease the slew rate more than the specified default value, the slew rate of the device will be the default value. The SR pin can be left floating if the slew rate does not need to be decreased.

### Short-Circuit Protection

The NCP4552x devices are equipped with short-circuit protection that is used to help protect the part and the system from a sudden high-current event, such as the output,  $V_{OUT}$ , being shorted to ground. This circuitry is only active when the gate of the MOSFET is fully charged.

Once active, the circuitry monitors the difference in the voltage on the  $V_{IN}$  pin and the voltage on the BLEED pin. In order for the  $V_{OUT}$  voltage to be monitored through the BLEED pin, it is required that the BLEED pin be connected to  $V_{OUT}$  either directly (as shown in Figures 31 and 34) or through a resistor,  $R_{EXT}$  (as shown in Figures 30 and 33), which should not exceed 1 k $\Omega$ . With the BLEED pin connected to  $V_{OUT}$ , the short-circuit protection is able to monitor the voltage drop across the MOSFET.

If the voltage drop across the MOSFET is greater than or equal to the short-circuit protection threshold voltage, the MOSFET is immediately turned off and the load bleed is activated. The part remains latched in this off state until EN is toggled or  $V_{CC}$  supply voltage is cycled, at which point the MOSFET will be turned on in a controlled fashion with the normal output turn-on delay and slew rate. The current through the MOSFET that will cause a short-circuit event can be calculated by dividing the short-circuit protection threshold by the expected on-resistance of the MOSFET.

# NCP45520, NCP45521

## Thermal Shutdown

The thermal shutdown of the NCP4552x devices protects the part from internally or externally generated excessive temperatures. This circuitry is disabled when EN is not active to reduce standby current. When an over-temperature condition is detected, the MOSFET is immediately turned off and the load bleed is activated.

The part comes out of thermal shutdown when the junction temperature decreases to a safe operating temperature as dictated by the thermal hysteresis. Upon exiting a thermal shutdown state, and if EN remains active, the MOSFET will be turned on in a controlled fashion with the normal output turn-on delay and slew rate.

## Undervoltage Lockout

The undervoltage lockout of the NCP4552x devices turns the MOSFET off and activates the load bleed when the input voltage,  $V_{IN}$ , is less than or equal to the undervoltage lockout threshold. This circuitry is disabled when EN is not active to reduce standby current.

If the  $V_{IN}$  voltage rises above the undervoltage lockout threshold, and EN remains active, the MOSFET will be turned on in a controlled fashion with the normal output turn-on delay and slew rate.

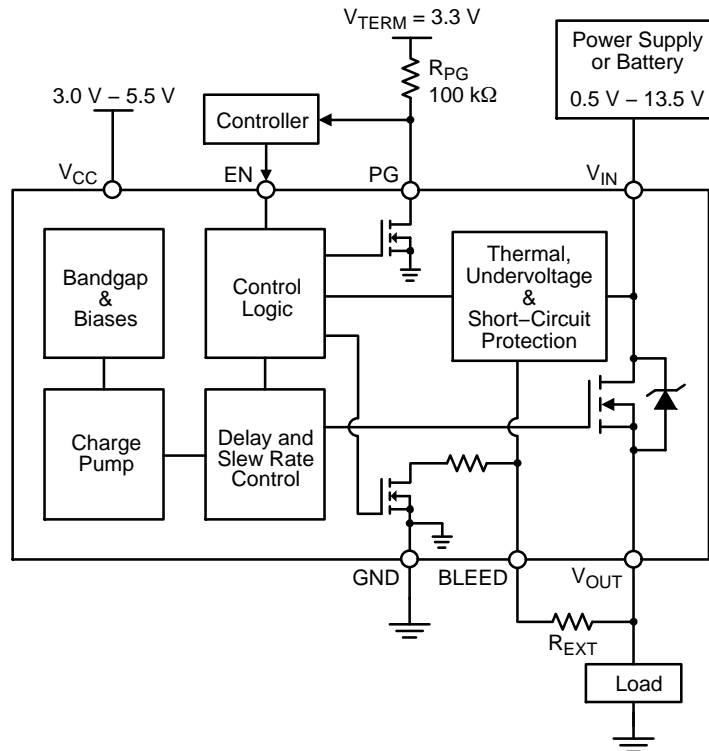


Figure 30. NCP45520 Typical Application Diagram – Load Switch

# NCP45520, NCP45521

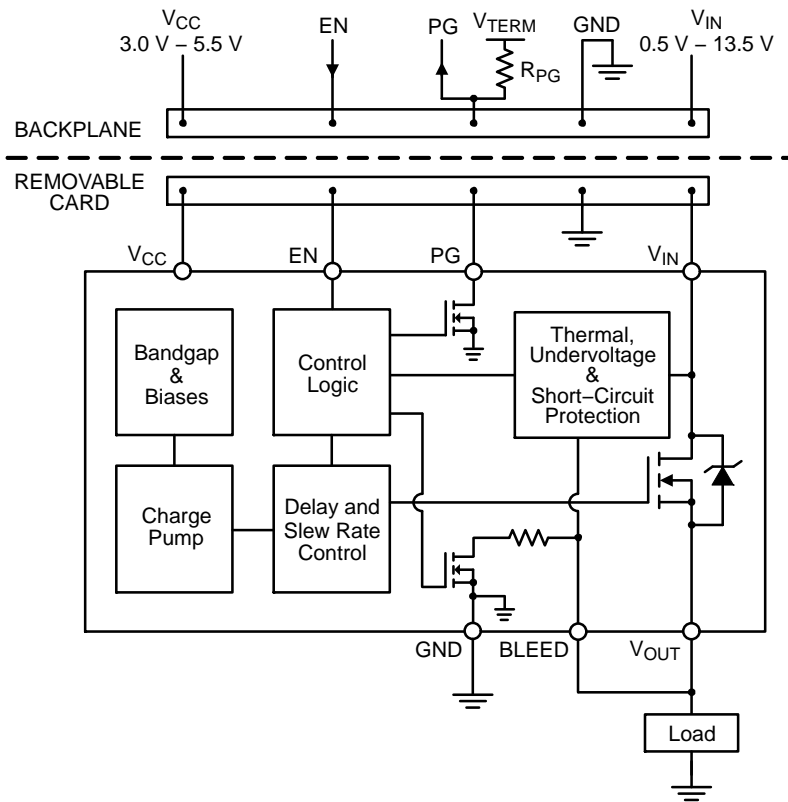


Figure 31. NCP45520 Typical Application Diagram – Hot Swap

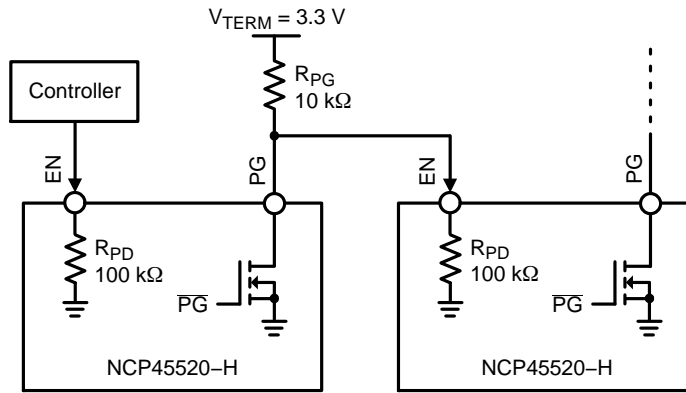


Figure 32. NCP45520 Simplified Application Diagram – Power Sequencing with PG Output

# NCP45520, NCP45521

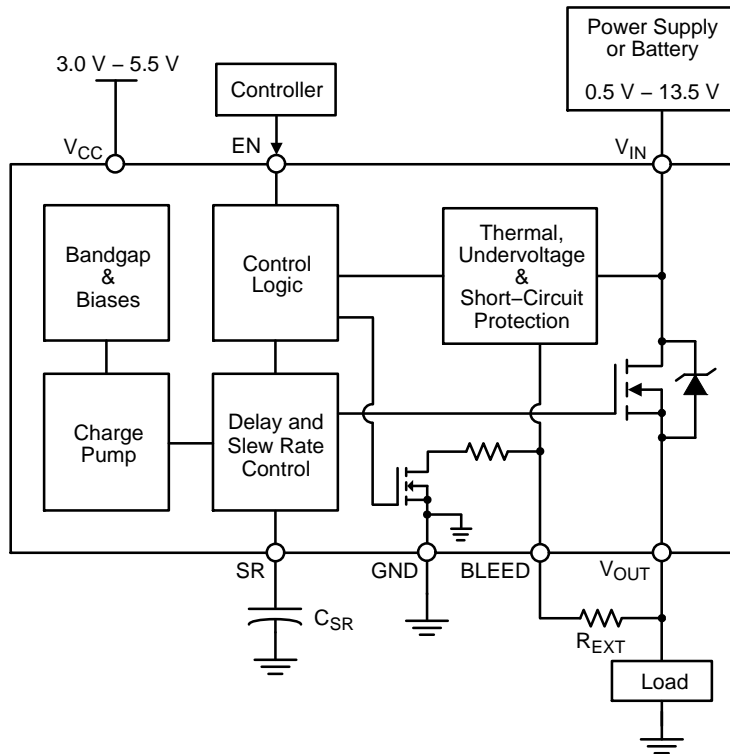


Figure 33. NCP45521 Typical Application Diagram – Load Switch

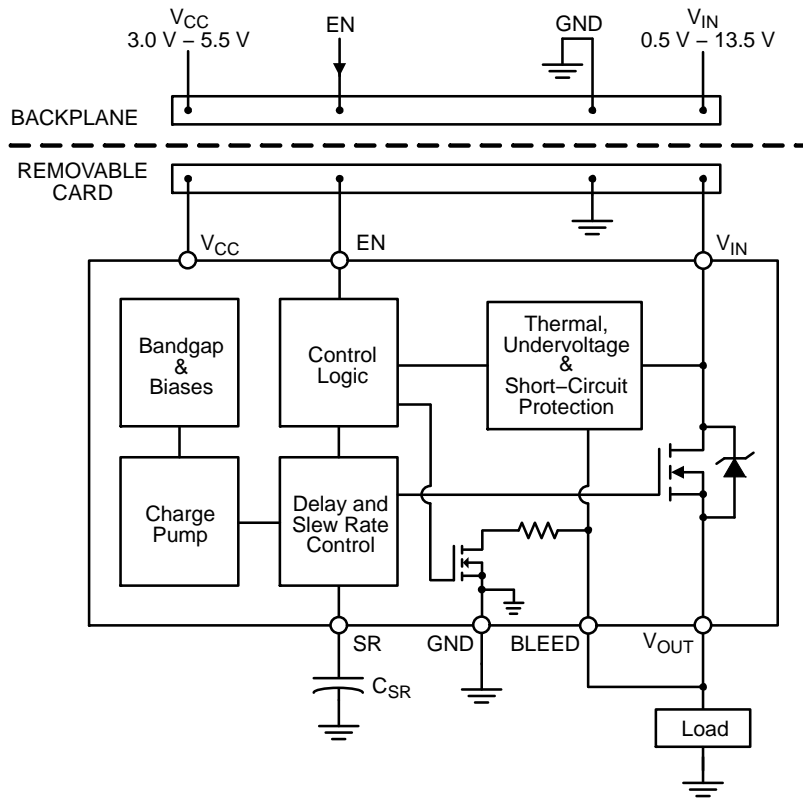


Figure 34. NCP45521 Typical Application Diagram – Hot Swap

# NCP45520, NCP45521

## ORDERING INFORMATION

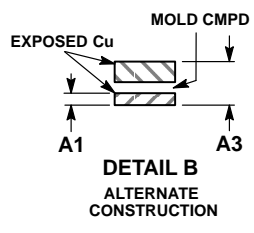
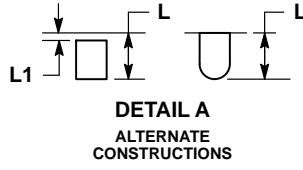
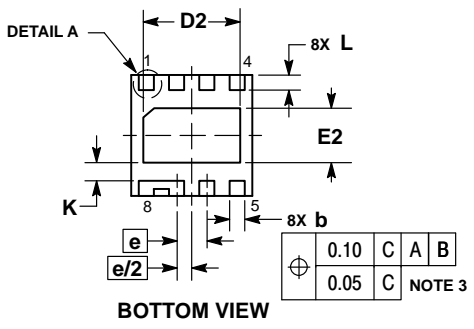
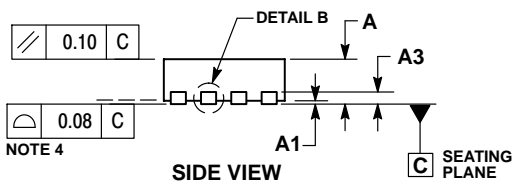
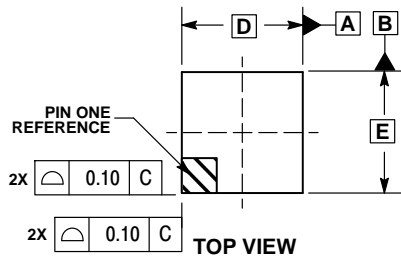
| Device           | Pin 6 Functionality | EN Polarity | Package           | Shipping†          |
|------------------|---------------------|-------------|-------------------|--------------------|
| NCP45520IMNTWG-H | PG                  | Active-High | DFN8<br>(Pb-Free) | 3000 / Tape & Reel |
| NCP45520IMNTWG-L | PG                  | Active-Low  |                   |                    |
| NCP45521IMNTWG-H | SR                  | Active-High |                   |                    |
| NCP45521IMNTWG-L | SR                  | Active-Low  |                   |                    |

†For information on tape and reel specifications, including part orientation and tape sizes, please refer to our Tape and Reel Packaging Specifications Brochure, BRD8011/D.

# NCP45520, NCP45521

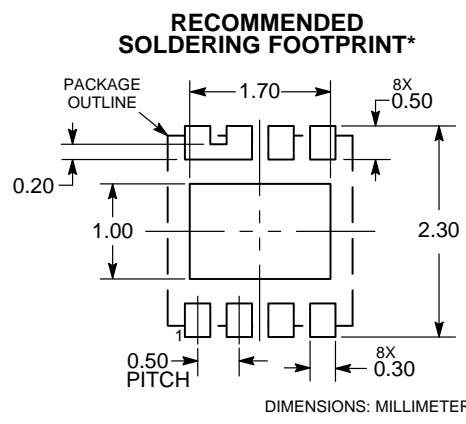
## PACKAGE DIMENSIONS

### DFN8 2x2, 0.5P CASE 506CC ISSUE O



- NOTES:
1. DIMENSIONING AND TOLERANCING PER ASME Y14.5M, 1994.
  2. CONTROLLING DIMENSION: MILLIMETERS.
  3. DIMENSION b APPLIES TO PLATED TERMINAL AND IS MEASURED BETWEEN 0.15 AND 0.30 MM FROM TERMINAL TIP.
  4. COPLANARITY APPLIES TO THE EXPOSED PAD AS WELL AS THE TERMINALS.

| MILLIMETERS |      |      |
|-------------|------|------|
| DIM         | MIN  | MAX  |
| A           | 0.80 | 1.00 |
| A1          | 0.00 | 0.05 |
| A3          | 0.20 | REF  |
| b           | 0.20 | 0.30 |
| D           | 2.00 | BSC  |
| D2          | 1.50 | 1.70 |
| E           | 2.00 | BSC  |
| E2          | 0.80 | 1.00 |
| e           | 0.50 | BSC  |
| K           | 0.27 | REF  |
| L           | 0.18 | 0.38 |
| L1          | ---  | 0.15 |



\*For additional information on our Pb-Free strategy and soldering details, please download the ON Semiconductor Soldering and Mounting Techniques Reference Manual, SOLDERRM/D.

ecoSWITCH is a trademark of Semiconductor Components Industries, LLC (SCILLC).

**ON Semiconductor** and are registered trademarks of Semiconductor Components Industries, LLC (SCILLC). SCILLC owns the rights to a number of patents, trademarks, copyrights, trade secrets, and other intellectual property. A listing of SCILLC's product/patent coverage may be accessed at [www.onsemi.com/site/pdf/Patent-Marking.pdf](http://www.onsemi.com/site/pdf/Patent-Marking.pdf). SCILLC reserves the right to make changes without further notice to any products herein. SCILLC makes no warranty, representation or guarantee regarding the suitability of its products for any particular purpose, nor does SCILLC assume any liability arising out of the application or use of any product or circuit, and specifically disclaims any and all liability, including without limitation special, consequential or incidental damages. "Typical" parameters which may be provided in SCILLC data sheets and/or specifications can and do vary in different applications and actual performance may vary over time. All operating parameters, including "Typicals" must be validated for each customer application by customer's technical experts. SCILLC does not convey any license under its patent rights nor the rights of others. SCILLC products are not designed, intended, or authorized for use as components in systems intended for surgical implant into the body, or other applications intended to support or sustain life, or for any other application in which the failure of the SCILLC product could create a situation where personal injury or death may occur. Should Buyer purchase or use SCILLC products for any such unintended or unauthorized application, Buyer shall indemnify and hold SCILLC and its officers, employees, subsidiaries, affiliates, and distributors harmless against all claims, costs, damages, and expenses, and reasonable attorney fees arising out of, directly or indirectly, any claim of personal injury or death associated with such unintended or unauthorized use, even if such claim alleges that SCILLC was negligent regarding the design or manufacture of the part. SCILLC is an Equal Opportunity/Affirmative Action Employer. This literature is subject to all applicable copyright laws and is not for resale in any manner.

### PUBLICATION ORDERING INFORMATION

**LITERATURE FULFILLMENT:**  
Literature Distribution Center for ON Semiconductor  
P.O. Box 5163, Denver, Colorado 80217 USA  
**Phone:** 303-675-2175 or 800-344-3860 Toll Free USA/Canada  
**Fax:** 303-675-2176 or 800-344-3867 Toll Free USA/Canada  
**Email:** [orderlit@onsemi.com](mailto:orderlit@onsemi.com)

**N. American Technical Support:** 800-282-9855 Toll Free  
USA/Canada  
**Europe, Middle East and Africa Technical Support:**  
Phone: 421 33 790 2910  
**Japan Customer Focus Center**  
Phone: 81-3-5817-1050

**ON Semiconductor Website:** [www.onsemi.com](http://www.onsemi.com)  
**Order Literature:** <http://www.onsemi.com/orderlit>  
For additional information, please contact your local Sales Representative

# Mouser Electronics

Authorized Distributor

Click to View Pricing, Inventory, Delivery & Lifecycle Information:

[ON Semiconductor:](#)

[NCP45520IMNTWG-L](#) [NCP45520IMNTWG-H](#)