

## 80dB PSRR, Low Noise, RF, 300mA LDO in SOT23-5

### DESCRIPTION

ETA5051 is a low-dropout (LDO) low-power linear voltage regulator features high power-supply rejection ratio (PSRR), ultralow-noise, fast start-up, and excellent line and load transient responses. Its PSRR can be as high as 80dB and its noise level can be as low as 30 $\mu$ VRMS of output voltage noise at 2.8V output with a 0.1 $\mu$ F bypass capacitor. Therefore, ETA5051 is an ideal power supply for noise-sensitive applications such as RF transmissions, cellphones, CMOS sensors and audios etc.

ETA5051's output voltage is factory set and is housed in SOT23-5 package.

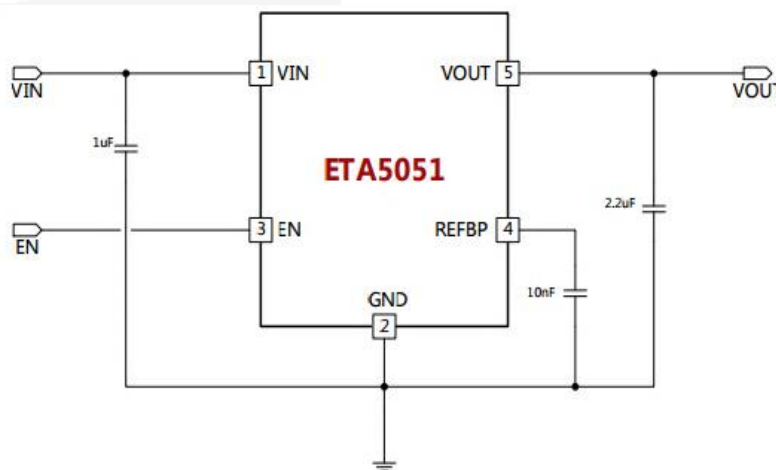
### FEATURES

- ◆ High PSRR, 80 dB at 10Hz, 70dB at 10Kz
- ◆ Low Noise, 30 $\mu$ VRMS
- ◆ Stable With a Wide Range of C5 ceramic Capacitor larger than 1 $\mu$ F
- ◆ Excellent Load and Line Transient Response
- ◆ Very Low Dropout Voltage
- ◆ 300mA output current

### APPLICATIONS

- ◆ RF power
- ◆ Sensors
- ◆ Audio

### TYPICAL APPLICATION



### ORDERING INFORMATION

PART No.	TOP MARK	Top Mark Explanation	PART No.	TOP MARK	Top Mark Explanation
ETA5051V18S2F	b8YW	b8= Product Code, YW = Date Code	ETA5051V28S2F	c8YW	c8= Product Code, YW = Date Code
ETA5051V25S2F	c5YW	c5= Product Code, YW = Date Code	ETA5051V30S2F	d0YW	d0= Product Code, YW = Date Code
ETA5051V28S2F	c8YW	c8= Product Code, YW = Date Code	ETA5051V33S2F	d3YW	d3= Product Code, YW = Date Code
<b>PACKAGE</b>	SOT23-5		<b>Pcs/REEL</b>	3000	