

30W, 100V Monolithic Flyback/Forward Converter

DESCRIPTION

The ETA7002 is a monolithic Flyback/Forward DC-DC converter that is capable of delivering up to 30W output power. It integrates a 120V/0.55 Ω device making it ideal for telecom applications. The ETA7002 uses the fixed-frequency peak current mode primary controller architecture. It has an internal soft-start, auto-retry, and incorporates over current, short circuit, and over-voltage protection. The ETA7002 goes into pulse-skipping mode during no load condition to maintain high efficiency. It can also be configured as a direct opto-coupler interface that bypasses the internal error amplifier when an isolated output is desired.

ETA7002 can be configured in isolated step down converter mode, SEPIC step down converter mode, and a step-up mode for lighting and inverter application.

The ETA7002 is available in a compact ESOP8 package.

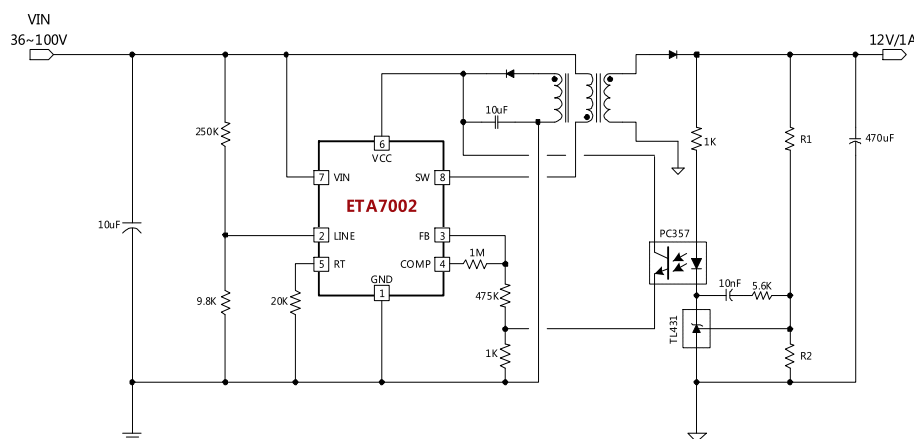
FEATURES

- ◆ An integrated 0.55 Ω 120V Power Switch
- ◆ Cycle-by-Cycle Current Limiting
- ◆ Programmable Switching Frequency
- ◆ Duty Cycle Limiting with Line Feed Forward
- ◆ Integrated 100V Startup Circuit
- ◆ Internal Slope Compensation
- ◆ Disable Function
- ◆ Built-in Soft-Start
- ◆ Line Under Voltage Lockout
- ◆ Line Over Voltage Protection
- ◆ Auto-Restart for Opened/Shorted Output
- ◆ Zero Load Regulation
- ◆ Thermal Shutdown

APPLICATIONS

- ◆ Power over Ethernet (PoE)
- ◆ Ultra high voltage step-down converting
- ◆ Ultra high voltage step-up convertering

TYPICAL APPLICATION



ORDERING INFORMATION

| PART No. | PACKAGE | TOP MARK | Pcs/Reel |
|------------|---------|------------------|----------|
| ETA7002E8A | ESOP-8 | ETA7002 YWW2L | 2500 |