

## 18V, 2A, High Efficiency Synchronous Step-Down Converter in SOT23-6

### DESCRIPTION

ETA8120 is a wide input range, high-efficiency and high frequency DC-to-DC step-down switching regulator, capable of delivering up to 2A of output current. With a fixed switching frequency of 500KHz, this current mode PWM controlled converter allows the use of small external components, such as ceramic input and output caps, as well as small inductors. ETA8120 also employs a proprietary control scheme that switches the device into a power save mode during light load, thereby extending the range of high efficiency operation. An OVP function protects the IC itself and its downstream system against input voltage surges. With this OVP function, the IC can stand off input voltage as high as 19V, making it an ideal solution for industrial applications such as LCD TV, Set Top Box, Portable TV, etc.

ETA8120 is available in SOT23-6 package.

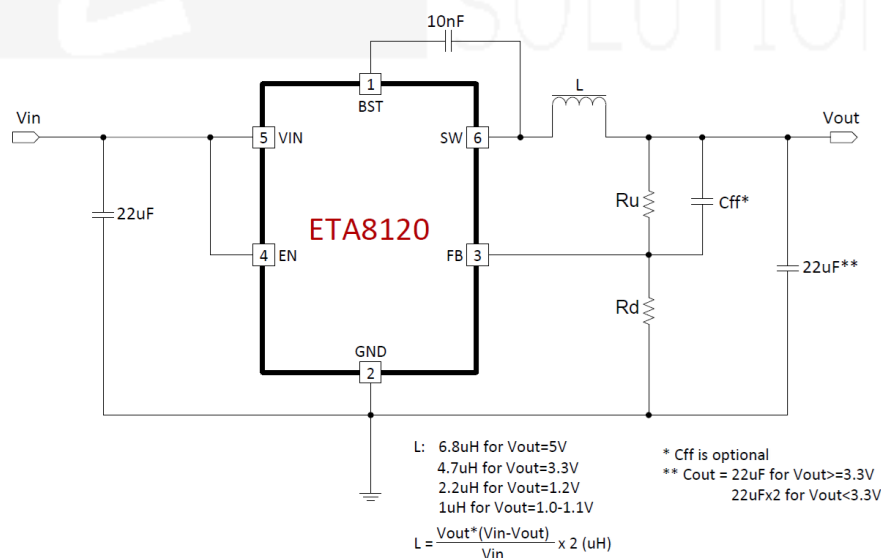
### FEATURES

- ◆ Wide Input Range: 4.2V-18V
- ◆ High Efficiency PFM mode at light load
- ◆ Capable of Delivering 2A
- ◆ No External Compensation Needed
- ◆ Current Mode Control
- ◆ Thermal Shutdown and UVLO
- ◆ Excellent Load and Line Transient Response
- ◆ Available in SOT23-6 Package

### APPLICATIONS

- ◆ LCD TV
- ◆ Set Top Box
- ◆ Portable TV

### TYPICAL APPLICATION



### ORDERING INFORMATION

PART No.	PACKAGE	TOP MARK	Pcs/Reel
ETA8120S2G	SOT23-6	CMYW	3000