

## 0.7uA Ultra-Low Iq, 150mA LDO in DFN1x1 and SOT23-5

### DESCRIPTION

ETA5070 is a fixed output, low-dropout (LDO) low-power linear voltage regulator that features ultra-low standby current as low as 0.7uA. It can withstand input voltage up to 7V and delivery at least 150mA at output. Therefore, ETA5070 is an ideal power supply for low power applications such as IoT, wearables and other battery powered system, and etc.

ETA5070 is available in DFN1x1 and SOT23-5.

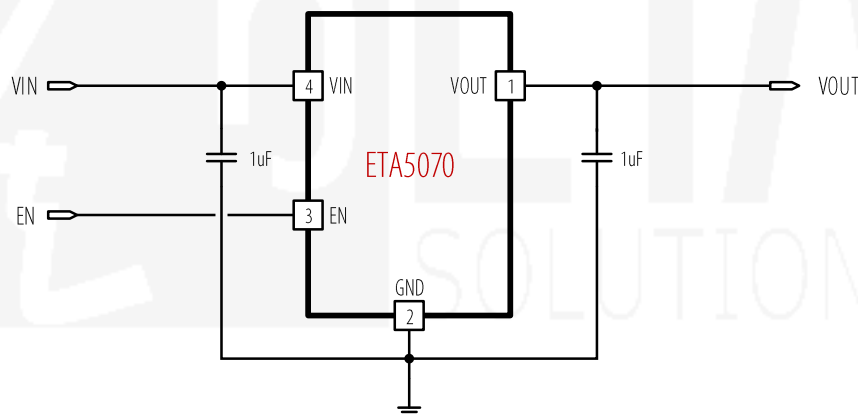
### FEATURES

- ◆ 0.7uA ultra-low Iq
- ◆ 7V input voltage
- ◆ 150mA output current
- ◆ Stable with a Wide Range of Ceramic Capacitor
- ◆ 0.34V dropout voltage for 100mA at Vout=2.8V

### APPLICATIONS

- ◆ NB-IoT module
- ◆ Wearables
- ◆ Fingerprint lock

### TYPICAL APPLICATION



### ORDERING INFORMATION

	PART No.	PACKAGE	TOP MARK	Pcs/Reel
	ETA5070VXXXQS2F	SOT23-5	PPYW	3000
	ETA5070VXXXQF1E	DFN1x1-4L	PP	10000
	<i>XXX: voltage code</i>	<i>e.g. 12Q=1.2V</i>	<i>PP: product code</i>	
	<i>Q=N: no discharge;</i>	<i>Q=D: discharge</i>	<i>YW: date code</i>	
1.2V No Discharge DFN1x1-4L	ETA5070V120NF1E	DFN1x1-4L	A2YW	10000
1.8V No Discharge DFN1x1-4L	ETA5070V180NF1E	DFN1x1-4L	A4YW	10000
2.8V No Discharge DFN1x1-4L	ETA5070V280NF1E	DFN1x1-4L	B2YW	10000
3.0V No Discharge DFN1x1-4L	ETA5070V300NF1E	DFN1x1-4L	C2YW	10000
3.3V No Discharge DFN1x1-4L	ETA5070V330NF1E	DFN1x1-4L	C4YW	10000
3.6V No Discharge DFN1x1-4L	ETA5070V360NF1E	DFN1x1-4L	C6YW	10000