

## 1uA Ultra-Low Quiescent Current, 0.6A Output Synchronous BUCK

### DESCRIPTION

The ETA3425 is a high-efficiency, DC-to-DC step-down switching regulator, capable of delivering up to 0.6A of output current. It has an ultra-low quiescent current below 1uA when there is no load. Running at a fixed frequency of 1.5MHz allows the use of small inductance value and low DCR inductors, thereby achieving higher efficiencies. Other external components, such as ceramic input and output caps, can also be small due to higher switching frequency, while maintaining exceptional low noise output voltages. Internal soft-start control circuitry reduces inrush current. Short-circuit and thermal-overload protection improves design reliability.

ETA3425 is housed in a tiny SOT23-5 and DFN2x2-6 package

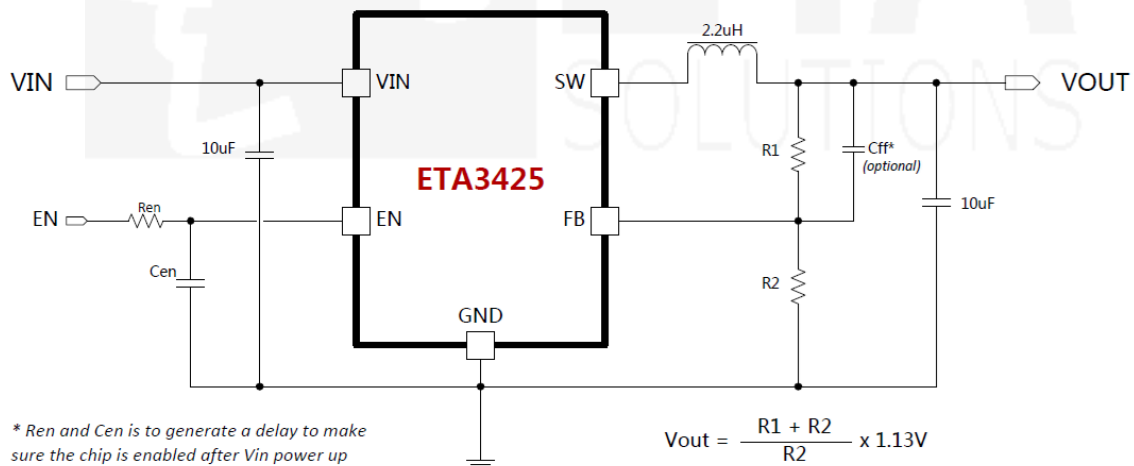
### FEATURES

- ◆ Ultra low 1uA Iq, and 1-2uA at standby
- ◆ Up to 96% Efficiency
- ◆ Up to 600mA Max Output Current
- ◆ 1.5MHz Frequency
- ◆ Light Load operation
- ◆ Internal Compensation
- ◆ Tiny Package

### APPLICATIONS

- ◆ Wearable
- ◆ IOT
- ◆ Energy Harvest
- ◆ Battery powered devices

### TYPICAL APPLICATION



### ORDERING INFORMATION

PART No.	PACKAGE	TOP MARK	Pcs/Reel
ETA3425S2F	SOT23-5	CFYW	3000
ETA3425D2G	DFN2x2-6	CFYW	3000